

Bakery Dust
Collection
&
Flour Reclaim
Systems



Campbell Systems, Inc.



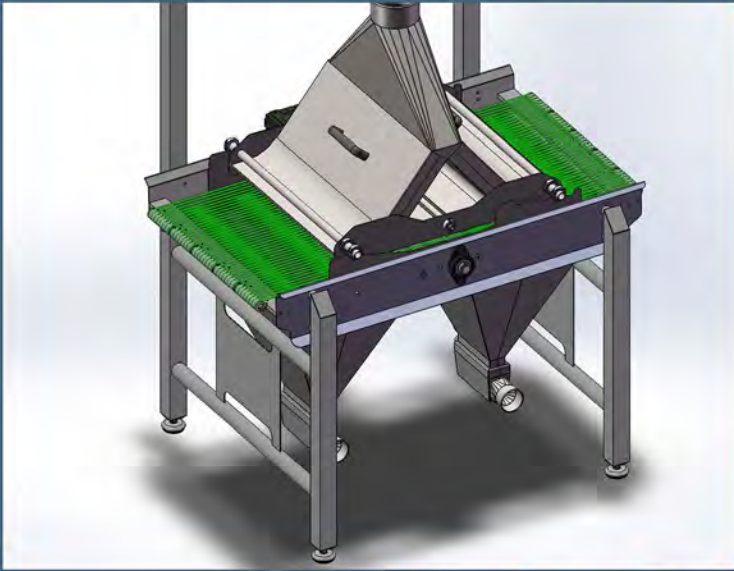
Campbell Systems, Inc.

SAVE
MORE
FLOUR
MAKE
MORE
DOUGH

campbellsystemsinc.com
770.641.5075



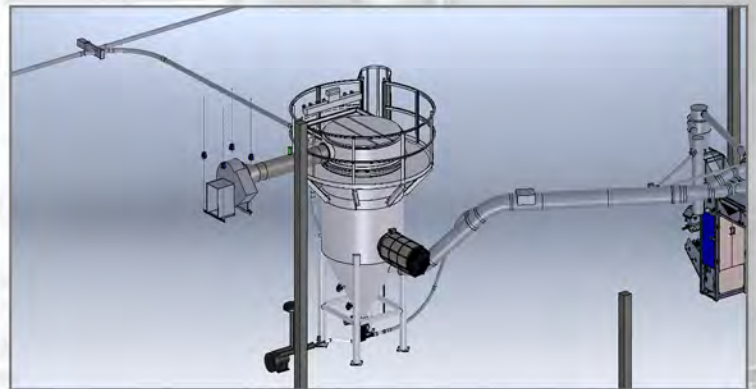
Creative Systems & Solutions



Custom Designed Collection Hoods

Dust Collection systems
Flour Reclaim Systems
Explosion Suppression Systems
Ducting and Vacuum Hoods
Allergen Reclaim Systems
Automatic Sifter Refill
Bakery Dust Collection
Sugar Dust Collection
Cornmeal Dust & Debris Collection
Flour Sifting Systems
Sheeting Line Flour Reclaim Systems
Biscuit Line Flour Reclaim Systems
Pita and Pizza Dough Flour Reclaim
Panomat Reclaim Systems
Bun & Bread Flour Reclaim Systems
Peel Board Cleaners
Dust Containment Bag Dump Stations
Stainless Collection Hoods
Baghouse Collectors & Blowers
Cyclone & Filter Cartridge Collectors
Clean and Sanitary Design
NFPA Regulations Compliance
3D Engineered Systems and Controls
Site Survey and Evaluations
Dust Explosion Venting Systems
Regulatory Compliance Audits
Training and Support Services
Installation & Start-up Support

Bakery Dust Collection & Flour Reclaim Systems



Campbell Systems has more than four decades of experience with groundbreaking design and plant automation.

We design our equipment and systems precisely to meet your unique needs resulting in creative, efficient, and economical solutions.

Our system design professionals have years of experience and are ready to assist your business with top-of-the-line equipment and innovative design.

